

ELECTRICAL POWER GENERATION

Engine Mounted and Remote Cooling Systems

General ThermoDynamics is recognized for building the highest quality, longest lasting cooling systems in the industry.

Every cooling package we sell is custom sized to provide you the most cost effective design. Our Electrical Power Generation (EPG) line is specifically tailored around the features the power generation industry has requested and is sure to meet your needs.

We offer both engine mounted and remote cooling packages, each customized with the options and accessories you want. When an aftercooler is also present, we offer side-by-side cooling circuits or front-to-back arrangements where high heat loads and high ambient temperatures require more core rows.

Our People

Our highly responsive representative network stays constantly engaged with our applications engineers and customer service to provide you the best experience and closest factory involvement.

Sizing Program

Using our customized EPG Sizing Software, we provide immediate quote turnaround with fully customized solutions, considering low noise, ISO container, corrosion protection, or your choice of accessories.

Radiator Specifications

Radiator Core

Copper-Brass Plate-Fin and Serpentine Cores provide excellent cooling for varying environments. EPG cores come standard with Soldered tube to header joints with lead-free solder to reduce solder bloom or Mechanically Bonded tube to header joints for harsher installations. We provide both low FPI cores for dirty environments and high FPI and louvered cores for clean installations.

Air to Air Charge Air Coolers

All Aluminum T-Bar construction for exceptional balance of performance, cost, and durability.

Frame

Welded & bolted steel H-frame construction suitable for 100 mph wind loads.

Fans

High efficiency thermoplastic or aluminum airfoil fans from 19" to 108" provide you maximum cooling effectiveness at the lowest noise and power.

Bearings

Highest quality double row tapered roller bearings with contact seals for long life. Two bearings used with each machined shaft ensure excellent bearing performance for the life of your cooling system.

Motors

Heavy duty industrial class UL recognized motors with totally enclosed fan cooling.

- 3 PH, 60 HZ, 208-230-460VAC, 1800/1200/900RPM, TEFC, 1.15SF
- 3 PH, 50 HZ, 190-380VAC, 1500/1000/750RPM, TEFC, 1.5SF

Guards

Punched steel and welded wire guards meet OSHA requirements.

Paint

Our new medium gloss black powder coat paint provides exceptional coverage and protection.

Accessories & Options

- Surge tanks
- Wishbones
- Drive kit including belts, sheaves, and stub shaft
- Pipe kits
- Motor starters
- Variable Frequency Drives (VFD)
- Fuel Oil Coolers (FOC)
- Corrosion resistant packages – Galvanized steel and solder coated cores
- Murphy Level SWICHGAGE®
- ISO Container-specific sizes
- Belt & Sheave guards
- Low noise

TECHNOLOGY

GENERAL THERMODYNAMICS

Your single source supplier for all your cooling needs. Providing maximum value through Innovative Technology, Quality and Customer Service.

CAPABILITIES

4700 Ironwood Drive
Franklin, Wisconsin 53132
TEL: (414) 761-4500
FAX: (414) 761-4510

SOLUTIONS

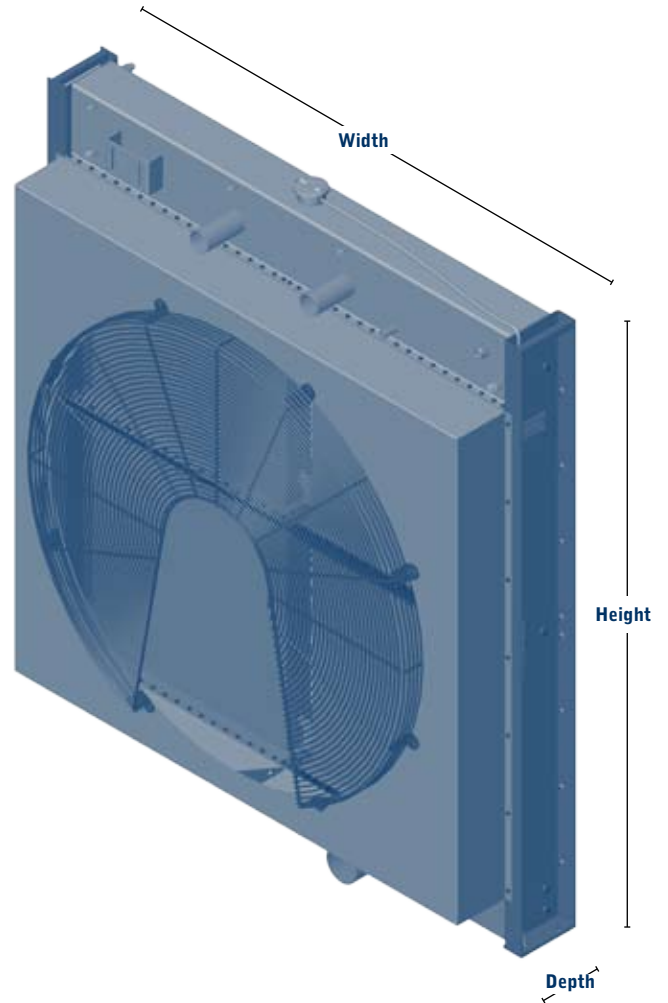
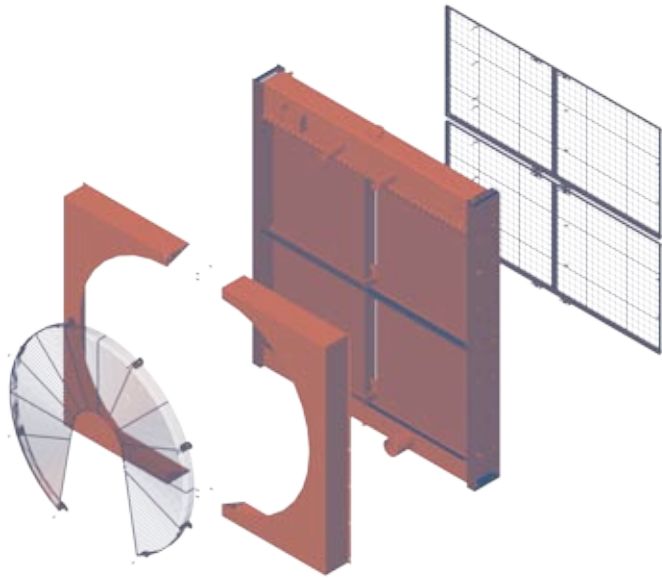
WEB ADDRESS:
www.thermasys.com

EMAIL:
General_ThermoDynamics_Sales@thermasys.com

E-SERIES

Engine Mounted Radiator, Fan on Engine

Engine mounted cooling modules for engines with built-in fans.



PRODUCT SPECIFICATIONS

Model	Width (in.)	Depth* (in.)	Height (in.)	Fan Center Height (in.)	Fan Diameter (in.)	Est. Dry Weight (lb.)
E3	25.50	10.00	32.44	16.38	22	140
E5	30.50	10.00	38.62	19.38	26	155
E7	35.88	11.00	44.31	21.75	28	280
E10	40.88	11.00	51.06	25.19	36	330
E12	44.50	11.00	55.84	27.38	36	360
E15	48.50	11.00	58.88	28.75	42	400
E17	55.25	11.00	63.75	31.88	48	500
E19	55.25	11.00	69.75	34.88	48	600
E25	71.25	17.00	77.44	34.88	54	900
E30	77.88	17.00	86.38	38.13	60	1100
E40	87.88	17.00	96.88	47.31	72	1300

*Stacked circuit models are 9-10" larger.

TECHNOLOGY

GENERAL THERMODYNAMICS

Your single source supplier for all your cooling needs. Providing maximum value through Innovative Technology, Quality and Customer Service.

CAPABILITIES

4700 Ironwood Drive
Franklin, Wisconsin 53132

TEL: (414) 761-4500

FAX: (414) 761-4510

SOLUTIONS

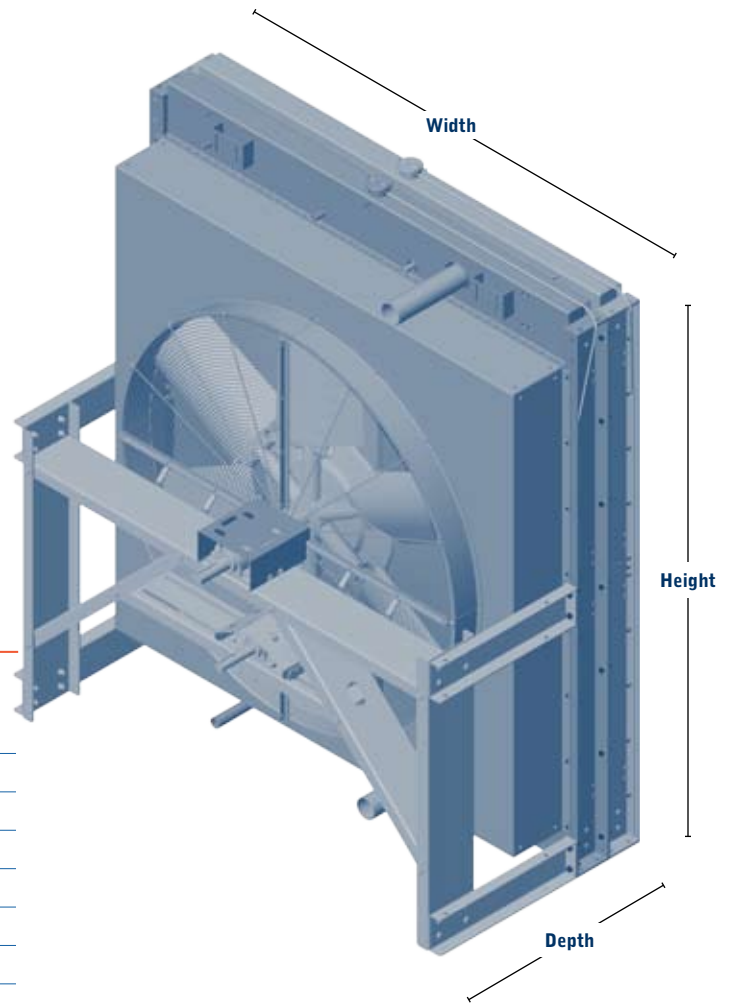
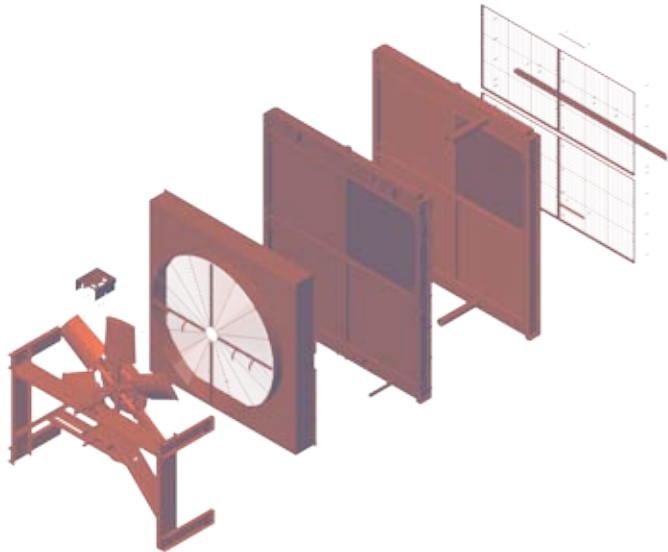
WEB ADDRESS:
www.thermasys.com

EMAIL:
General_ThermoDynamics_Sales@thermasys.com

F-SERIES

Engine Mounted Radiator, Fan on Radiator

Engine mounted cooling modules for engines without fans.



PRODUCT SPECIFICATIONS

Model	Width (in.)	Depth* (in.)	Height (in.)	Fan Center Height (in.)	Fan Diameter (in.)	Max. HP	Est. Dry Weight (lb.)
F15	54.50	24.21	58.62	28.50	42	15	900
F19	61.25	29.28	74.13	39.25	48	20	1200
F25	71.25	35.50	77.44	37.50	54	25	1400
F30	77.88	35.78	86.38	42.13	60	30	1750
F34	71.25	35.78	96.88	47.31	60	34	1900
F40	87.88	35.78	96.88	47.31	72	40	2600
F47	91.25	34.50	97.50	48.13	72	47	2900
F50	95.13	35.78	106.44	52.13	72	50	3200
F55	104.13	35.78	103.44	51.72	84	55	3800
F60	104.13	37.78	111.00	56.06	84	60	4000
F66	109.13	39.78	119.25	58.88	92	75	4300
F75	122.38	39.25	119.25	58.88	92	100	5100
F85	122.38	39.53	138.34	70.17	108	100	5700

*Stacked circuit models are 9-10" larger.

TECHNOLOGY

GENERAL THERMODYNAMICS

Your single source supplier for all your cooling needs. Providing maximum value through Innovative Technology, Quality and Customer Service.

CAPABILITIES

4700 Ironwood Drive
Franklin, Wisconsin 53132

TEL: (414) 761-4500

FAX: (414) 761-4510

SOLUTIONS

WEB ADDRESS:
www.thermasys.com

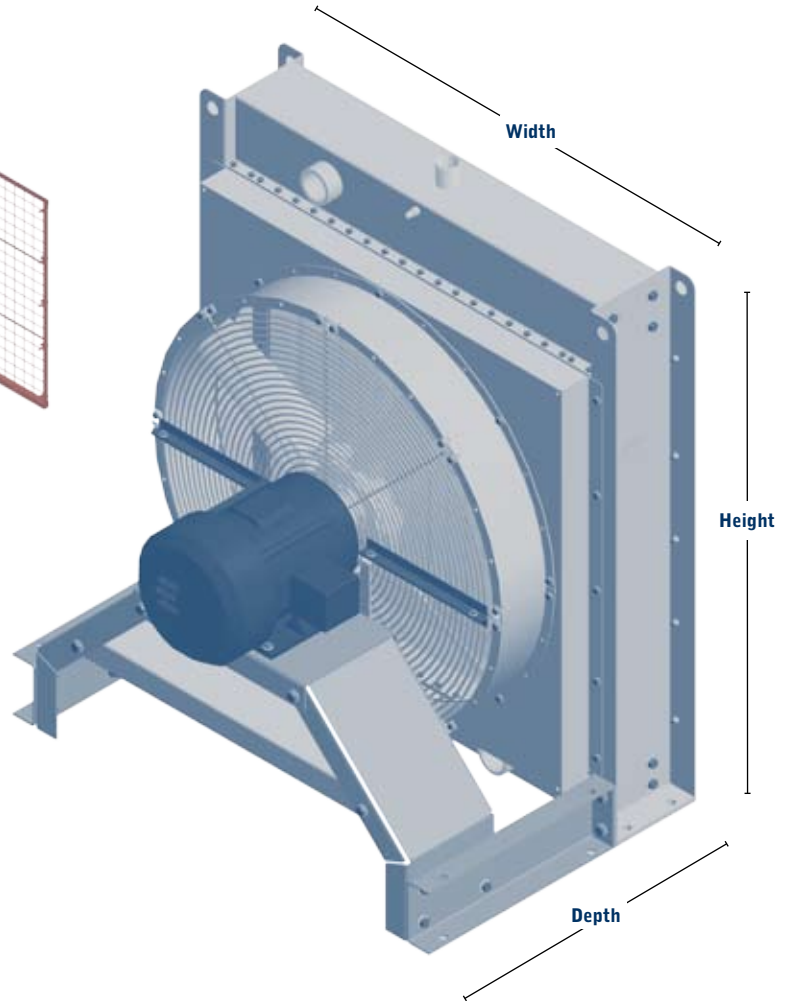
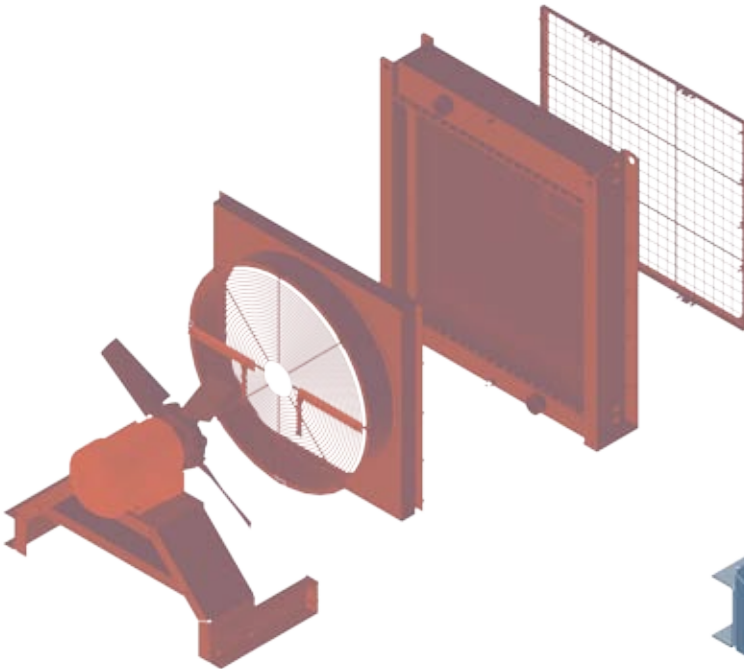
EMAIL:

General_ThermoDynamics_Sales@thermasys.com

M-SERIES

Vertical Remote Radiator, Direct Motor Driven Fan

Remote cooling modules with vertical cores and an electric motor driven fan.



PRODUCT SPECIFICATIONS

Model	Width (in)	Depth* (in.)	Height (in.)	Fan Diameter (in.)	Max. HP	Est. Dry Weight (lb.)
M2	25.00	25.67	29.00	19	3	195
M3	29.50	23.62	32.38	22	3	280
M5	34.50	23.62	38.38	26	5	320
M7	41.88	29.03	44.06	28	7.5	450
M10	46.88	29.96	50.81	36	10	650
M12	50.50	36.03	55.59	36	12	800
M17	61.25	38.22	63.50	48	20	1200
M25	71.25	40.47	77.44	54	25	1500

*Stacked circuit models are 9-10" larger.

TECHNOLOGY

GENERAL THERMODYNAMICS

Your single source supplier for all your cooling needs. Providing maximum value through Innovative Technology, Quality and Customer Service.

CAPABILITIES

4700 Ironwood Drive
Franklin, Wisconsin 53132

TEL: (414) 761-4500

FAX: (414) 761-4510

SOLUTIONS

WEB ADDRESS:
www.thermasys.com

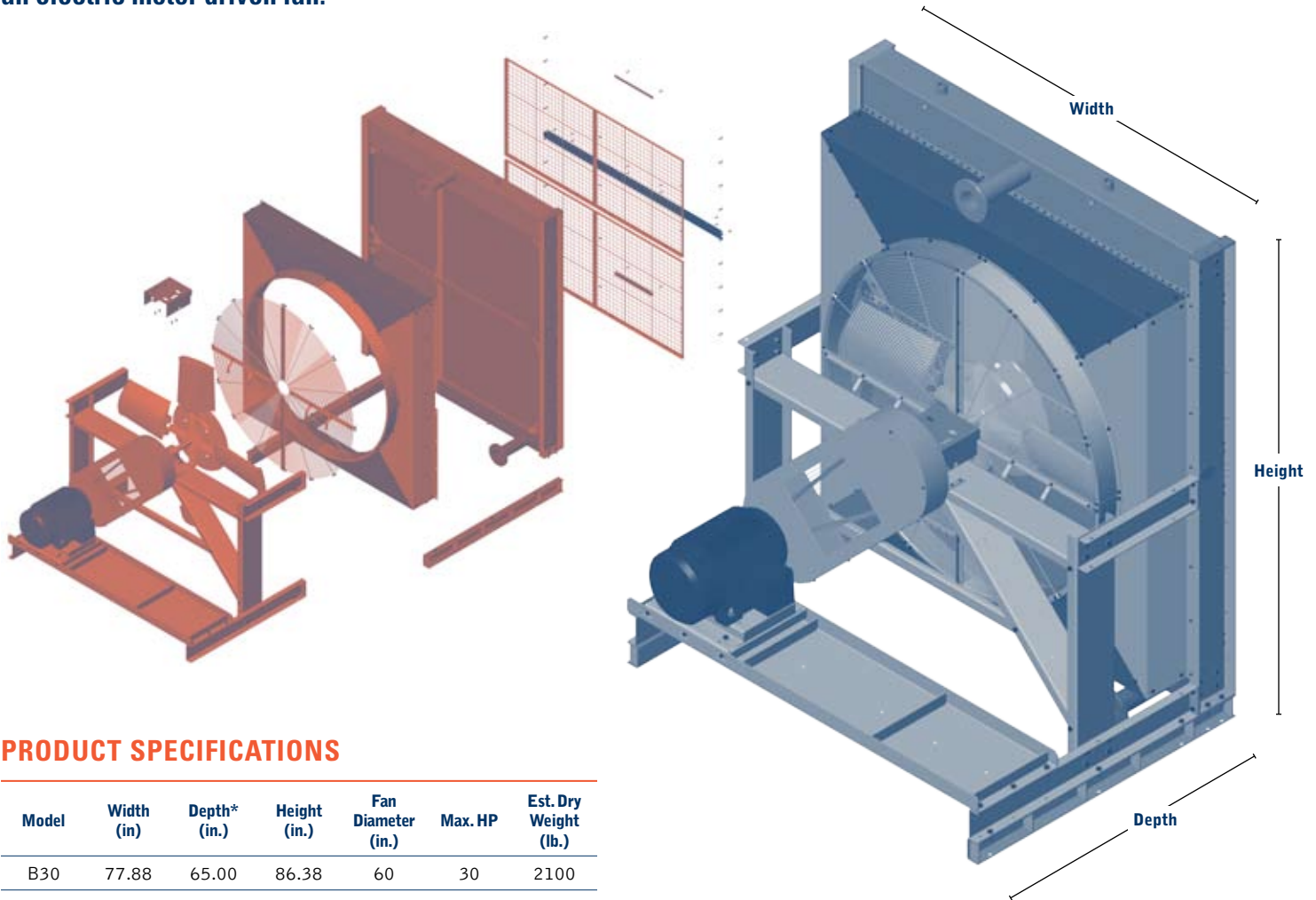
EMAIL:

General_ThermoDynamics_Sales@thermasys.com

B-SERIES

Vertical Remote Radiator, Belt & Motor Driven Fan

Remote cooling modules with vertical cores and an electric motor driven fan.



PRODUCT SPECIFICATIONS

Model	Width (in)	Depth* (in.)	Height (in.)	Fan Diameter (in.)	Max. HP	Est. Dry Weight (lb.)
B30	77.88	65.00	86.38	60	30	2100
B40	87.88	65.00	96.88	72	40	2800
B50	95.13	65.00	106.44	72	50	3500
B60	104.12	74.88	111.00	84	60	4300
B66	109.13	69.50	119.25	92	75	4800
B75	122.38	68.00	119.25	92	100	5800
B85	122.38	76.00	138.34	108	100	6800

*Stacked circuit models are 9-10" larger.

TECHNOLOGY

GENERAL THERMODYNAMICS

Your single source supplier for all your cooling needs. Providing maximum value through Innovative Technology, Quality and Customer Service.

CAPABILITIES

4700 Ironwood Drive
Franklin, Wisconsin 53132
TEL: (414) 761-4500
FAX: (414) 761-4510

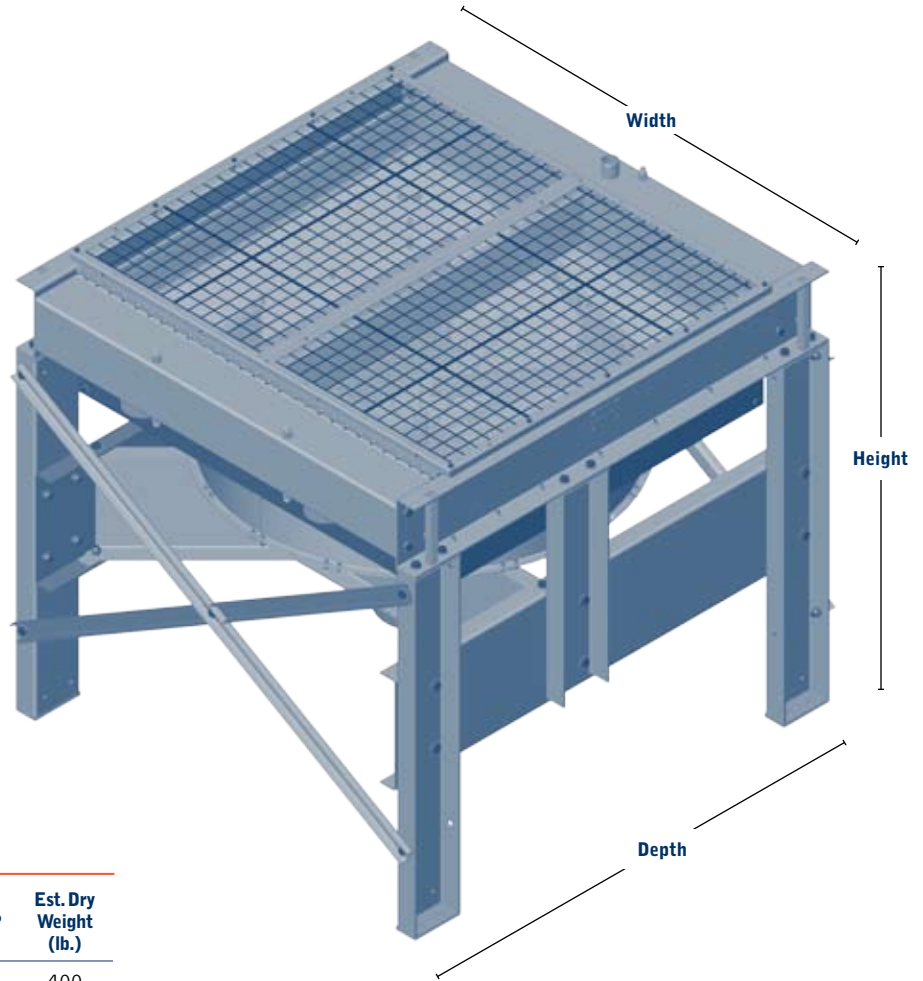
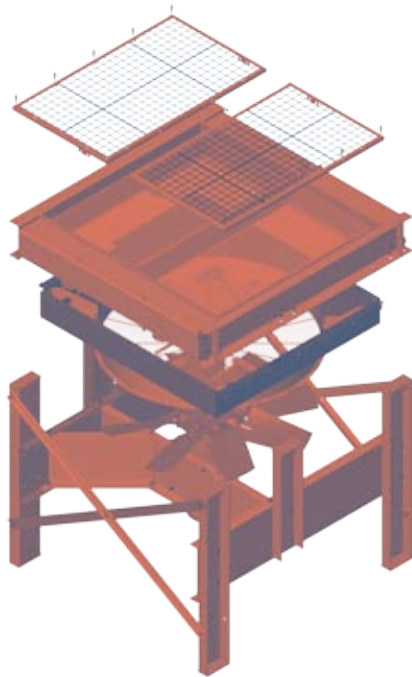
SOLUTIONS

WEB ADDRESS:
www.thermasys.com
EMAIL:
General_ThermoDynamics_Sales@thermasys.com

H-SERIES

Horizontal Remote Radiator, Direct Motor Driven Fan

Remote cooling modules with horizontal cores and an electric motor driven fan.



PRODUCT SPECIFICATIONS

Model	Width (in.)	Depth (in.)	Height* (in.)	Fan Diameter (in.)	Max. HP	Est. Dry Weight (lb.)
H3	29.50	32.18	36.00	22	3	400
H5	34.50	38.38	36.00	26	5	500
H7	41.88	44.06	45.00	28	7.5	700
H10	46.88	50.81	45.00	36	10	850
H12	50.50	55.59	49.00	36	12	950
H17	61.25	63.50	57.00	48	20	1600
H25	71.25	77.44	57.00	54	25	1800

*Stacked circuit models are 9-10" larger.

TECHNOLOGY

GENERAL THERMODYNAMICS

Your single source supplier for all your cooling needs. Providing maximum value through Innovative Technology, Quality and Customer Service.

CAPABILITIES

4700 Ironwood Drive
Franklin, Wisconsin 53132
TEL: (414) 761-4500
FAX: (414) 761-4510

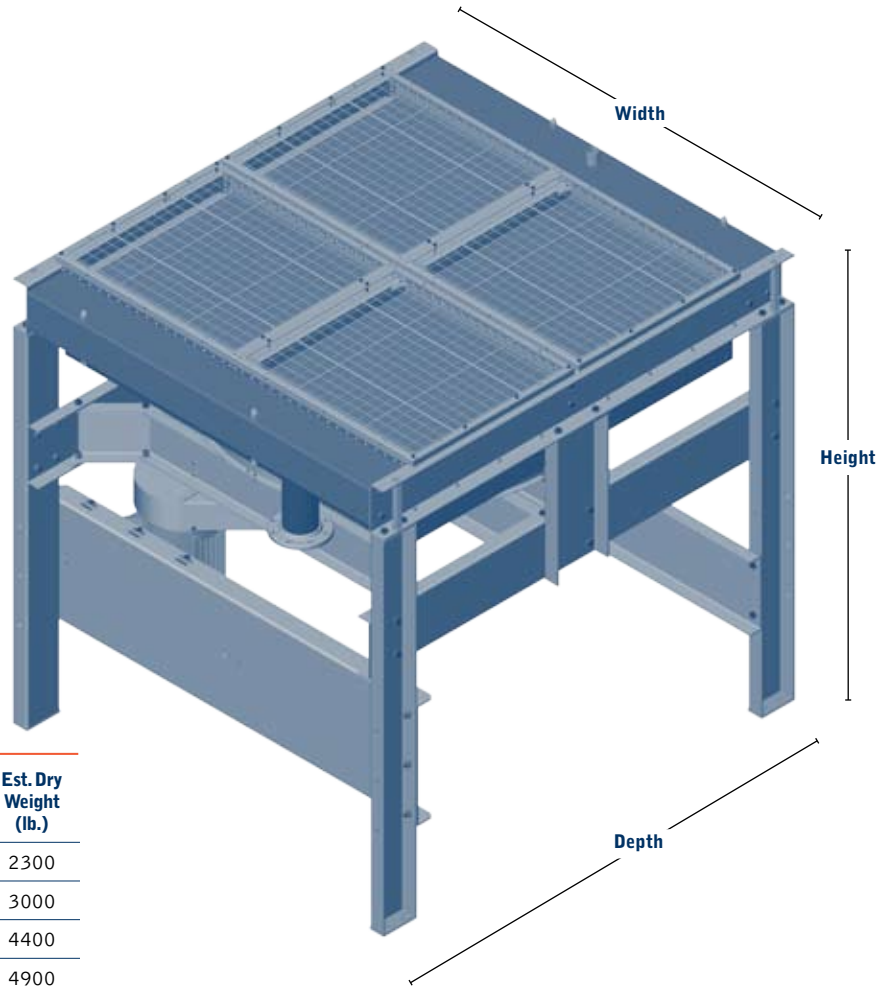
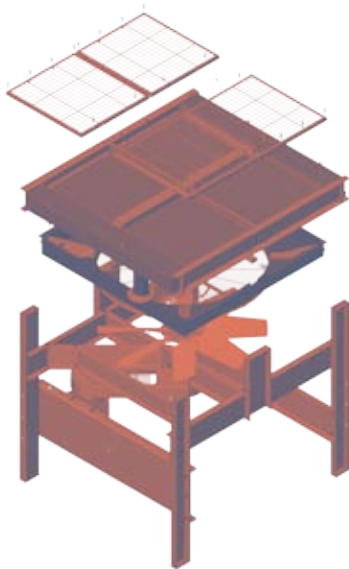
SOLUTIONS

WEB ADDRESS:
www.thermasys.com
EMAIL:
General_ThermoDynamics_Sales@thermasys.com

HB-SERIES

Horizontal Remote Radiator, Belt & Motor Driven Fan

Remote cooling modules with horizontal cores and an electric motor driven fan.



PRODUCT SPECIFICATIONS

Model	Width (in.)	Depth (in.)	Height* (in.)	Fan Diameter (in.)	Max. HP	Est. Dry Weight (lb.)
HB30	77.88	86.38	81.00	60	30	2300
HB40	87.88	96.88	81.00	72	40	3000
HB50	95.13	106.44	81.00	72	50	4400
HB52	87.88	111.00	74.44	72	52	4900
HB60	104.13	111.00	81.00	84	60	5400
HB66	109.13	120.76	84.00	92	75	6400
HB67	90.00	145.00	84.00	84	75	6500
HB75	122.38	119.25	93.00	92	100	7100
HB85	122.38	134.84	93.00	108	100	7800
HB113	122.38	168.50	93.00	108	100	9250

*Stacked circuit models are 9-10" larger.

TECHNOLOGY

GENERAL THERMODYNAMICS

Your single source supplier for all your cooling needs. Providing maximum value through Innovative Technology, Quality and Customer Service.

CAPABILITIES

4700 Ironwood Drive
Franklin, Wisconsin 53132
TEL: (414) 761-4500
FAX: (414) 761-4510

SOLUTIONS

WEB ADDRESS:
www.thermasys.com
EMAIL:
General_ThermoDynamics_Sales@thermasys.com

CHARGE AIR COOLERS

Air to air aftercoolers for turbocharged engines.

Our custom developed T-Bar technology has been optimized to provide you with outstanding performance at reduced cost. Using a selection of custom engineering tubes and fins, we've engineer our T-Bar heat exchangers to meet your performance and reliability needs. With heavy-duty hot-side tubes, every T-Bar heat exchanger has fewer braze joints for a longer leak-free life.

Module Arrangement

- Heat exchangers can be oriented in side-by-side, stacked, and combination modules to best suit your specific application.
- Side-by-Side orientation when debris build-up is a concern.
- Stacked orientation when a more compact design is required to meet envelope constraints.

Aluminum T-Bar Construction

Benefits

- Superior performance – up to 25% more heat transfer capacity vs. traditional copper/brass coolers.
- Wide variety of pre-tooled tank extrusions and greater design flexibility provides low cost of ownership.
- Incrementally scalable for close envelope adherence.
- Diverse fin geometries can be configured for reduced pressure drop and maximized heat transfer.
- Fins configured for optimum performance based on debris-passing requirements.



Features

- Rugged, lightweight, and compact.
- Air-side fin design minimized fouling and restriction for long-term, reliable performance.
- All aluminum core construction with welded Extruded, Fabricated, and Cast tanks.

TECHNOLOGY

GENERAL THERMODYNAMICS

Your single source supplier for all your cooling needs. Providing maximum value through Innovative Technology, Quality and Customer Service.

CAPABILITIES

4700 Ironwood Drive
Franklin, Wisconsin 53132
TEL: (414) 761-4500
FAX: (414) 761-4510

SOLUTIONS

WEB ADDRESS:
www.thermasys.com
EMAIL:
General_ThermoDynamics_Sales@thermasys.com